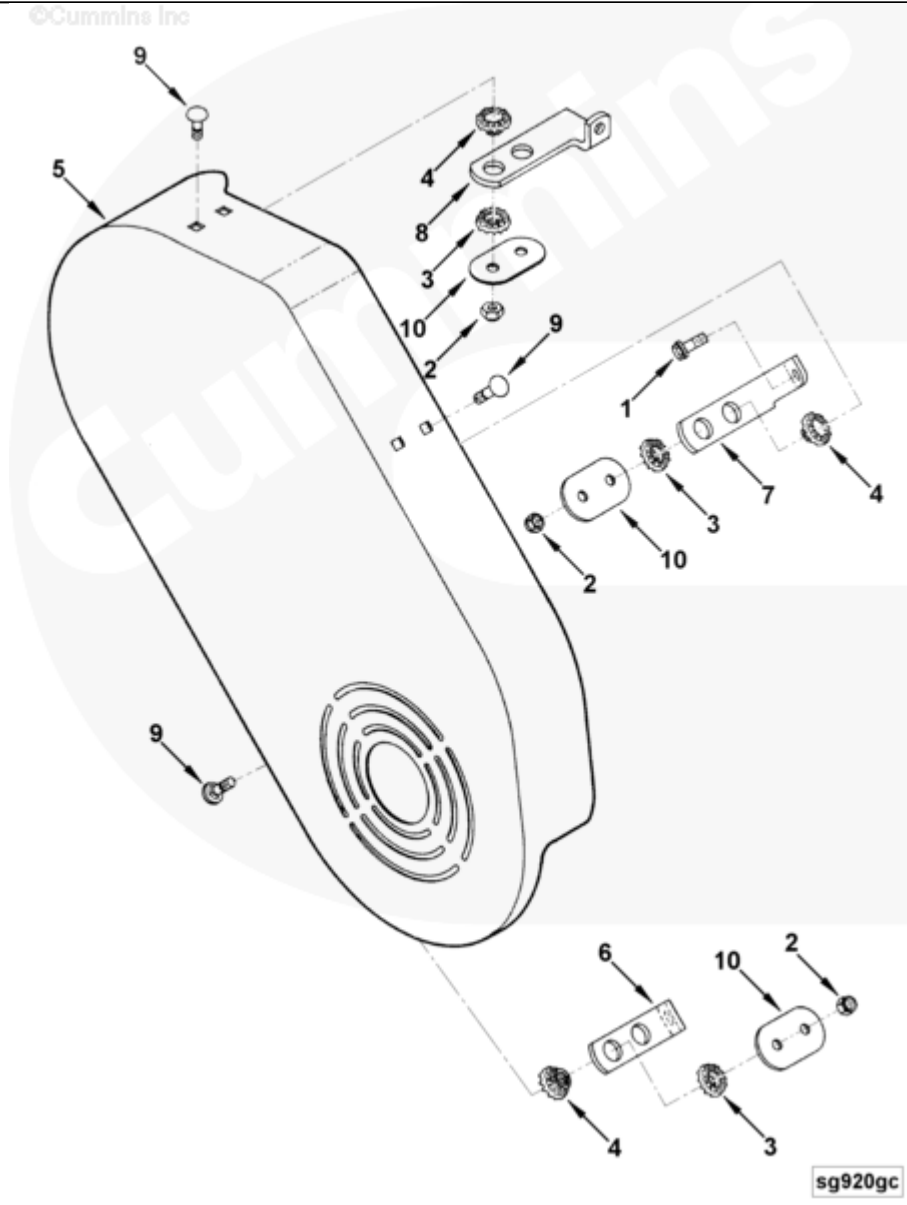




Parts Catalog - Option Detail

Electronic Parts Catalog - Option Detail				
Option	Group	Graphic	Film Card	Date
SG9031-05	15.03	sg920gc	Z	08-OCT-98
Engines	6C8.3, C GAS PLUS CM556, G8.3, G8.3 CM558, GTA8.3 CM558, ISC CM2150, ISC CM554, ISC CM850, ISC8.3 CM2250, ISC8.3 G CM2180 C101, ISL CM2150, ISL CM554, ISL CM850, ISL G CM2180, ISL8.9 CM2150 L110, ISL8.9 CM2880 L112, ISL9 CM2150 SN, ISL9 CM2250, ISL9 CM2350 L101, ISL9 CM2350 L111, ISLE4 CM850, L GAS PLUS CM556, L8.9, L8.9 L121, L8.9G CMOH2.0 L125B, L9 CM2350 L116B, L9 CM2350 L119B, L9 CM2350 L120C, L9 CM2350 L123B, L9.3 L105, L9.5 L117, L9N CM2380 L124B, QSC8.3 CM2250, QSC8.3 CM2880 C102, QSC8.3 CM554, QSC8.3 CM850(CM2850), QSL9 CM2250, QSL9 CM2250 L115, QSL9 CM2350 L102, QSL9 CM2350 L107, QSL9 CM2350 L118, QSL9 CM2350 L122, QSL9 CM554, QSL9 CM850(CM2850), QSL9 G CM558, QSL9 M CM2250 L106, QSL9.3 CM2880 L113			



SMALL | MEDIUM | LARGE

Cart	Ref No	Part Number	Part Description	Required	Remarks
<input type="button" value="View My Cart"/>					
		SG9031-05	Guard Package		
					Front belt guard for use with
					20si alternator no fan drive
					configuration for "C" Series
					marine engines.
<input type="checkbox"/>	1	3900630	Hexagon Flange Head Cap Screw	1	M8 X 1.25 X 20
		3921633	Belt Guard	1	
<input type="checkbox"/>	2	109558	Lock Nut	6	5/16-18 UNC-3B
<input type="checkbox"/>	3	3035083	Vibration Isolator	6	
<input type="checkbox"/>	4	3035084	Vibration Isolator	6	
<input type="checkbox"/>	5	3897935	Belt Guard	1	3925388 is to be primed as
					per CES 21073 (ecoat) and top
					coated marine white as per
					CES 74032 (powder). After
					powder coating the parts are
					to be identified as 3897935
<input type="checkbox"/>	6	3897933	Belt Guard Bracket	1	
					per CES 21073 (ecoat) and top
					coated marine white as per
					CES 74032 (powder). After
					powder coating the parts are
					to be identified as 3897933
<input type="checkbox"/>	7	3897934	Belt Guard Bracket	1	3921610 is to be primed as
					per CES 21073 (ecoat) and top
					coated marine white as per
					CES 74032 (powder). After
					powder coating the parts are

					to be identified as 3897934
<input type="checkbox"/>	8	3897937	Belt Guard Bracket	1	3921611 is to be primed as
					per CES 21073 (ecoat) and top
					coated marine white as per
					CES 74032 (powder). After
					powder coating the parts are
					to be identified as 3897937
<input type="checkbox"/>	9	3393823	Carriage Bolt	6	
<input type="checkbox"/>	10	3923360	Clamping Plate	3	

© 2019 Cummins Inc., Box 3005, Columbus, IN 47202-3005 U.S.A.
Terms of Use and Disclaimers | Recommended System Requirements
Need Assistance? Please click on the Contact Us button in the top right corner of any page.